

LUXON AZUD

LXE

Automatic screen filters, of electric control, suitable to all the applications and a wide range of filtration grades, with the guarantee of AZUD quality.



ADVANTAGES

- ✓ **Energetic efficiency:** The consumption in the flushing cycle is minimal.
- ✓ **Wide filtration range:** Grades from 20 to 1.000 micron.
- ✓ **Versatility:** Range from 3" to 14".
- ✓ **Resistance:** Temperature until 60°C.
- ✓ **Wide filtering surface:** until 21.300 cm².
- ✓ **Resistant material:** The screen is made in stainless steel of high quality resistant to corrosion.
- ✓ **Low Maintenance:** The lid with hinge reduces the labours when opening the filter.
- ✓ **Time saving:** The filtration process continues simultaneously to the flushing cycle.
- ✓ **Easiness in the installation:** The filters are delivered ready to be installed.

There are solutions to work with pressures higher than 10 bar / 145 psi or saline water. Control unit included.

TECHNOLOGY

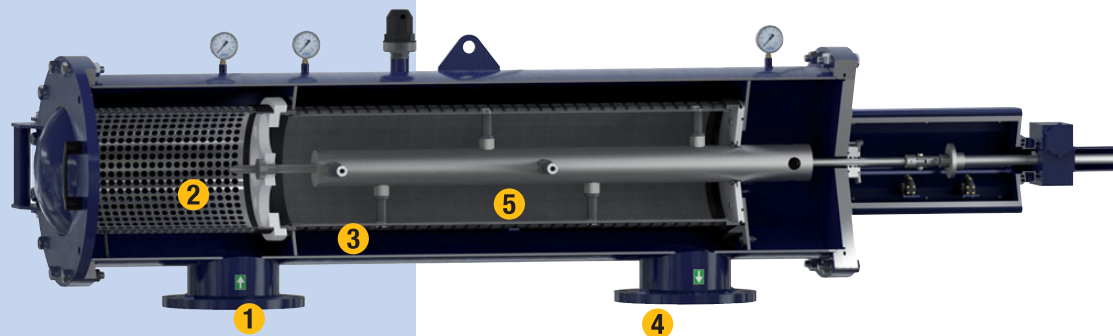
AZUD LUXON filters keep without interruption the supply of filtered water during the flushing cycle.

The water comes into the system (1) and enters in the pre-filter (2), flowing to the inside of the screen filter.

Afterwards, the water goes through the screen (3), so the particles are retained in the internal side of the filtering element. The water already filtered continues to the outlet manifold (4).

When there is an increase of the differential of pressure, the flushing cycle starts. A hydraulic valve is opened in the outlet of the drainage, which provokes the suction in the endings of the inner nozzles (5). These, together with a helical movement along the screen, suck the filtered particles. The dirtiness is expelled by the drainage.

The time of this process is pre-established by the controller. When it finishes, the flushing cycle valve closes and the process ends with minimal water consumption.



Model	Support of screen	DN CONNECTION				Filtering Surface	
		Inlet - Outlet Flange		Drainage Female - Thread		cm ²	in ²
		"	mm	"	mm		
AZUD LUXON LXE 2500/3	PVC	3"	80	2"	50	2.450	380
AZUD LUXON LXE 4900/4	PVC	4"	100	2"	50	4.900	760
AZUD LUXON LXE 7400/6	PVC	6"	150	2"	50	7.350	1.140
AZUD LUXON LXE 9800/8	PVC	8"	200	2"	50	9.800	1.520
AZUD LUXON LXE 12300/10	PVC	10"	250	2"	50	12.250	1.900
AZUD LUXON LXE 16100/12	PVC	12"	300	2"	50	16.100	2.495
AZUD LUXON LXE 20100/14	PVC	14"	350	2"	50	20.100	3.115
AZUD LUXON LXE 2700 S/3	INOX	3"	80	2"	50	2.650	410
AZUD LUXON LXE 5400 S/4	INOX	4"	100	2"	50	5.400	835
AZUD LUXON LXE 8000 S/6	INOX	6"	150	2"	50	8.000	1.240
AZUD LUXON LXE 10600 S/8	INOX	8"	200	2"	50	10.600	1.645
AZUD LUXON LXE 13200 S/10	INOX	10"	250	2"	50	13.210	2.050
AZUD LUXON LXE 16500 S/12	INOX	12"	300	2"	50	16.500	2.560
AZUD LUXON LXE 21300 S/14	INOX	14"	350	2"	50	21.300	3.300

All models are with flange connections. DIN 2576
Ask for the rest of configurations in www.azud.com

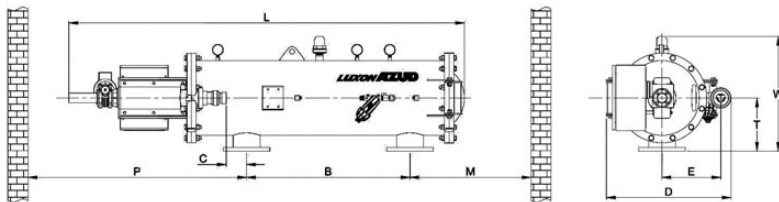
MATERIAL

Housing of the filter	Carbon steel epoxy-polyester coated (S-235-JR EPOXY- POLYESTER coated)
Filtering element	Stainless Steel AISI-316-L, INOX or PVC Structure
Scanner	Stainless Steel-304
Sealing elements	NBR
Drainage Valve	Metalic
Air release valve	1" BSP Triple effect. Manufactured in technical plastic

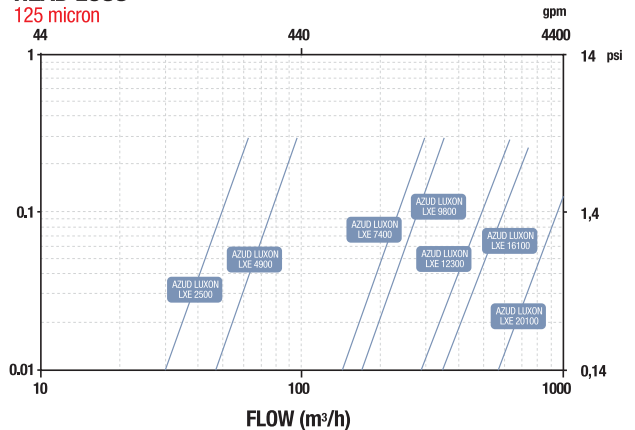
Flushing control unit included 220 V AC, 380 V AC available
Max. Pressure 10 bar / 145 psi • **Min. pressure** 2 bar / 29 psi
Max. temperature 60°C / 140 F • **Operation Voltage** 220 V single-phase
 1/2 CV Motor (220 V). Power consumption 1,4 A

Model	Support of screen	CONNECTION		FILTRATION				FLUSHING CYCLE				
		Inlet - Outlet Flange		Filtering Surface		Max flow		Flow rate		Time	Volume	
		"	mm	cm ²	in ²	m ³ /h	gpm	l/s	gpm	s	l	g
AZUD LUXON LXE 2500/3	PVC	3"	80	2.450	380	50	220	1,4	22	25	36	9,5
AZUD LUXON LXE 4900/4	PVC	4"	100	4.900	760	80	350	2,8	44	25	72	19,0
AZUD LUXON LXE 7400/6	PVC	6"	150	7.350	1.140	150	660	4,4	70	25	108	28,5
AZUD LUXON LXE 9800/8	PVC	8"	200	9.800	1.520	300	1.320	5,8	92	25	144	38,0
AZUD LUXON LXE 12300/10	PVC	10"	250	12.250	1.900	500	2.200	7,2	114	25	180	47,6
AZUD LUXON LXE 16100/12	PVC	12"	300	16.100	2.495	600	2.640	5,8	92	25	144	38,0
AZUD LUXON LXE 20100/14	PVC	14"	350	20.100	3.115	1.000	4.400	7,2	114	25	180	47,6
AZUD LUXON LXE 2700 S/3	INOX	3"	80	2.650	410	50	220	1,4	22	25	36	9,5
AZUD LUXON LXE 5400 S/4	INOX	4"	100	5.380	835	80	350	2,8	44	25	72	19,0
AZUD LUXON LXE 8000 S/6	INOX	6"	150	7.990	1.240	150	660	4,4	70	25	108	28,5
AZUD LUXON LXE 10600 S/8	INOX	8"	200	10.600	1.645	300	1.320	5,8	92	25	144	38,0
AZUD LUXON LXE 13200 S/10	INOX	10"	250	13.210	2.050	500	2.200	7,2	114	25	180	47,6
AZUD LUXON LXE 16500 S/12	INOX	12"	300	16.500	2.560	600	2.640	5,8	92	25	144	38,0
AZUD LUXON LXE 21300 S/14	INOX	14"	350	21.300	3.300	1.000	4.400	7,2	114	25	180	47,6

The flow rate given by filter conditions the frequency of the flushing activation.
 Maximum recommended flow rate: 125 micron and water good quality.
 Min. flushing pressure: 2 bar / 29 psi in outlet manifold.
 Ask for other filtration grades.



HEAD LOSS



Model	DIMENSIONS												WEIGHT									
	L		W		D		B		C		E		T		M		P		Full filter Weight		Empty filter Weight	
	mm	"	mm	"	mm	"	mm	"	mm	"	mm	"	mm	"	mm	"	mm	"	kg	lb	kg	lb
AZUD LUXON LXE 2500/3	1.700	67	700	28	760	30	360	14	90	4	360	14	325	13	620	24	1.305	51	424	935	245	540
AZUD LUXON LXE 4900/4	2.140	84	700	28	760	30	770	30	100	4	360	14	325	13	910	36	1.315	52	602	1327	280	617
AZUD LUXON LXE 7400/6	2.415	95	700	28	760	30	1.000	39	125	5	360	14	325	13	1.210	48	1.340	53	755	1664	340	750
AZUD LUXON LXE 9800/8	2.690	106	700	28	760	30	1.100	43	150	6	360	14	325	13	1.700	67	1.370	54	854	1883	390	860
AZUD LUXON LXE 12300/10	2.965	117	700	28	760	30	1.370	54	205	8	360	14	325	13	1.865	73	1.420	56	1020	2250	430	948
AZUD LUXON LXE 16100/12	2.710	107	930	37	975	38	1.100	43	215	8	470	19	450	18	1.565	62	1.430	56	1568	3457	595	1.312
AZUD LUXON LXE 20100/14	2.980	117	930	37	975	38	1.370	54	220	9	470	19	450	18	1.850	73	1.435	56	1819	4010	668	1.473
AZUD LUXON LXE 2700 S/3	1.700	67	700	28	760	30	360	14	90	4	360	14	325	13	620	24	1.305	51	440	970	261	575
AZUD LUXON LXE 5400 S/4	2.140	84	700	28	760	30	770	30	100	4	360	14	325	13	910	36	1.315	52	626	1379	304	670
AZUD LUXON LXE 8000 S/6	2.415	95	700	28	760	30	1.000	39	125	5	360	14	325	13	1.210	48	1.340	53	797	1756	382	842
AZUD LUXON LXE 10600 S/8	2.690	106	700	28	760	30	1.100	43	150	6	360	14	325	13	1.700	67	1.370	54	903	1991	439	968
AZUD LUXON LXE 13200 S/10	2.965	117	700	28	760	30	1.370	54	205	8	360	14	325	13	1.865	73	1.420	56	1075	2371	485	1.069
AZUD LUXON LXE 16500 S/12	2.710	107	930	37	975	38	1.100	43	215	8	470	19	450	18	1.565	62	1.430	56	1648	3633	675	1.488
AZUD LUXON LXE 21300 S/14	2.980	117	930	37	975	38	1.370	54	220	9	470	19	450	18	1.850	73	1.435	56	1904	4197	753	1.660