

LUXON AZUD

LFH

Automatic screen filters, of hydraulic control, suitable to all the applications and a wide range of filtration grades, with the guarantee of AZUD quality.



ADVANTAGES

- ✓ **Energetic efficiency:** The consumption in the flushing cycle is minimal.
- ✓ **Wide filtration range:** Grades from 80 to 1.000 micron.
- ✓ **Versatility:** Range from 4" to 12".
- ✓ **Resistance:** Temperature until 60°C.
- ✓ **Wide filtering surface:** until 12.000 cm².
- ✓ **Resistant material:** The screen is made in stainless steel of high quality resistant to corrosion.
- ✓ **Time saving:** The filtration process continues simultaneously to the flushing cycle.
- ✓ **Easiness in the installation:** The filters are delivered ready to be installed.

There are solutions to work with pressures higher than 10 bar / 145 psi or saline water. Battery control unit included.

TECHNOLOGY

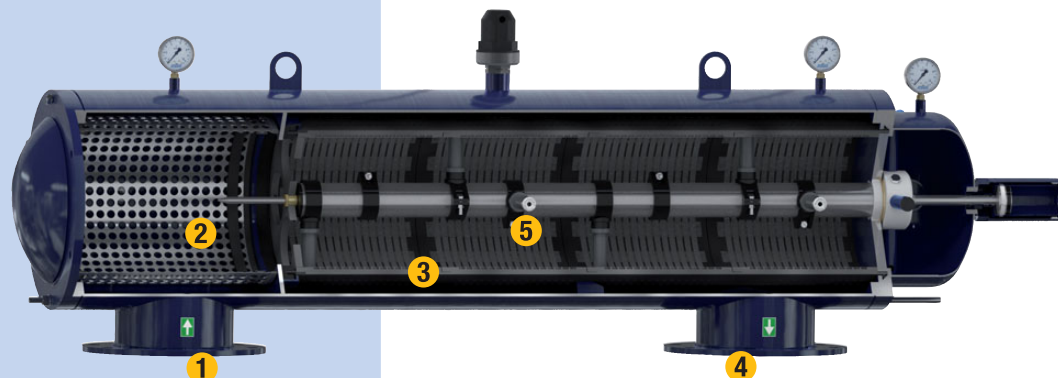
AZUD LUXON filters keep without interruption the supply of filtered water during the flushing cycle.

The water comes into the system (1) and enters in the pre-filter, flowing to the inside of the screen filter (2).

Afterwards, the water goes through the screen (3), so the particles are retained in the internal side of the filtering element. The water already filtered continues to the outlet manifold (4).

When there is an increase of the differential of pressure, the flushing cycle starts. A hydraulic valve is opened in the outlet of the drainage, which provokes the suction in the endings of the inner nozzles. These, together with a helical movement along the screen, suck the filtered particles (5). The dirtiness is expelled by the drainage.

The time of this process is pre-established by the control unit. When it finishes, the flushing cycle valve closes and the process ends with minimal water consumption.



| Model | DN CONNECTION | | | | Filtering Surface | |
|-------------------------|-----------------------|-----|--------------------------|----|-------------------|-----------------|
| | Inlet - Outlet Flange | | Drainage Female - Thread | | | |
| | " | mm | " | mm | cm ² | in ² |
| AZUD LUXON LFH 4800/4 | 4" | 100 | 2" | 63 | 4.800 | 745 |
| AZUD LUXON LFH 7200/4 | 4" | 100 | 2" | 63 | 7.200 | 1.115 |
| AZUD LUXON LFH 7200/6 | 6" | 150 | 2" | 63 | 7.200 | 1.115 |
| AZUD LUXON LFH 7200/8 | 8" | 200 | 2" | 63 | 7.200 | 1.115 |
| AZUD LUXON LFH 9600/6 | 6" | 150 | 2" | 63 | 9.600 | 1.490 |
| AZUD LUXON LFH 9600/8 | 8" | 200 | 2" | 63 | 9.600 | 1.490 |
| AZUD LUXON LFH 9600/10 | 10" | 250 | 2" | 63 | 9.600 | 1.490 |
| AZUD LUXON LFH 12000/10 | 10" | 250 | 2" | 63 | 12.000 | 1.860 |
| AZUD LUXON LFH 12000/12 | 12" | 300 | 2" | 63 | 12.000 | 1.860 |

All models are with flange connections. DIN 2576.
Ask for the rest of configurations in www.azud.com

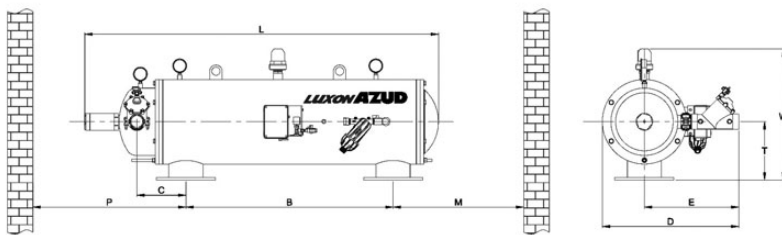
MATERIAL

| | |
|-----------------------|--|
| Housing of the filter | Carbon steel epoxy-polyester coated (S-235-JR EPOXY- POLYESTER coated) |
| Filtering element | Stainless Steel AISI-316-L. PVC Structure |
| Scanner | Stainless Steel-304 |
| Sealing elements | NBR |
| Drainage Valve | Polypropilene |
| Air release valve | 1" BSP Triple effect. Manufactured in technical plastic |

Battery control unit included.
Max. Pressure 10 bar / 145 psi • Min. pressure 2,5 bar / 36,3 psi
Max. temperature 60°C / 140 F

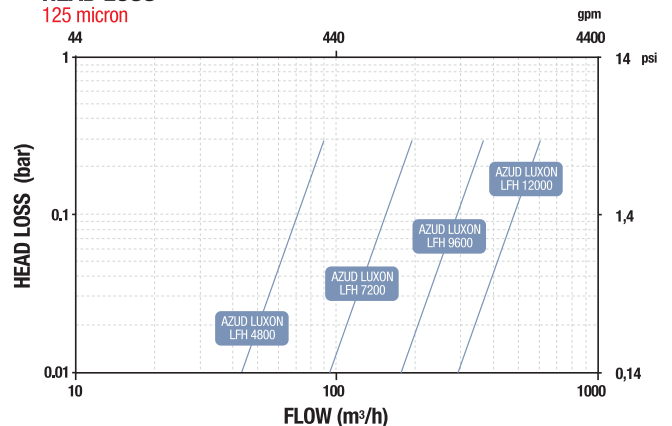
| Model | CONNECTION | | FILTRATION | | | | FLUSHING CYCLE | | | | |
|-------------------------|-----------------------|-----|-------------------|-----------------|-------------------|-------|----------------|-----|-------|--------|----|
| | Inlet - Outlet Flange | | Filtering Surface | | Max flow | | Flow rate | | Time | Volume | |
| | " | mm | cm ² | in ² | m ³ /h | gpm | l/s | gpm | s | l | g |
| AZUD LUXON LFH 4800/4 | 4" | 100 | 4.800 | 745 | 80 | 350 | 1,4 | 22 | 25-30 | 45 | 12 |
| AZUD LUXON LFH 7200/4 | 4" | 100 | 7.200 | 1.115 | 80 | 350 | 3,3 | 53 | 25-30 | 100 | 26 |
| AZUD LUXON LFH 7200/6 | 6" | 150 | 7.200 | 1.115 | 150 | 660 | 3,3 | 53 | 25-30 | 100 | 26 |
| AZUD LUXON LFH 7200/8 | 8" | 200 | 7.200 | 1.115 | 300 | 1.320 | 3,3 | 53 | 25-30 | 100 | 26 |
| AZUD LUXON LFH 9600/6 | 6" | 150 | 9.600 | 1.490 | 150 | 660 | 5,3 | 84 | 25-30 | 160 | 42 |
| AZUD LUXON LFH 9600/8 | 8" | 200 | 9.600 | 1.490 | 300 | 1.320 | 5,3 | 84 | 25-30 | 160 | 42 |
| AZUD LUXON LFH 9600/10 | 10" | 250 | 9.600 | 1.490 | 500 | 2.200 | 5,3 | 84 | 25-30 | 160 | 42 |
| AZUD LUXON LFH 12000/10 | 10" | 250 | 12.000 | 1.860 | 500 | 2.200 | 6,4 | 101 | 25-30 | 215 | 57 |
| AZUD LUXON LFH 12000/12 | 12" | 300 | 12.000 | 1.860 | 600 | 2.640 | 6,4 | 101 | 25-30 | 215 | 57 |

The flow rate given by filter conditions the frequency of the flushing activation.
Maximum recommended flow rate: 125 micron and water good quality.
Min. flushing pressure: 2,5 bar / 36,3 psi in outlet manifold.
Ask for other filtration grades.



HEAD LOSS

125 micron



| Model | DIMENSIONS | | | | | | | | | | | | | | WEIGHT | | | | | | | |
|-------------------------|------------|----|-----|----|-----|----|-------|----|-----|----|-----|----|-----|----|--------|----|-------|----|--------------------|------|---------------------|-----|
| | L | | W | | D | | B | | C | | E | | T | | M | | P | | Full filter Weight | | Empty filter Weight | |
| | mm | " | mm | " | mm | " | mm | " | mm | " | mm | " | mm | " | mm | " | mm | " | kg | lb | kg | lb |
| AZUD LUXON LFH 4800/4 | 1.430 | 56 | 630 | 25 | 660 | 26 | 770 | 30 | 215 | 8 | 456 | 18 | 280 | 11 | 610 | 24 | 798 | 31 | 370 | 817 | 75 | 165 |
| AZUD LUXON LFH 7200/4 | 1.430 | 56 | 630 | 25 | 660 | 26 | 1.000 | 39 | 240 | 9 | 456 | 18 | 280 | 11 | 635 | 25 | 1.100 | 43 | 454 | 1002 | 90 | 198 |
| AZUD LUXON LFH 7200/6 | 1.710 | 67 | 630 | 25 | 660 | 26 | 1.000 | 39 | 240 | 9 | 456 | 18 | 280 | 11 | 635 | 25 | 1.100 | 43 | 454 | 1002 | 90 | 198 |
| AZUD LUXON LFH 7200/8 | 1.710 | 67 | 630 | 25 | 660 | 26 | 1.000 | 39 | 240 | 9 | 456 | 18 | 280 | 11 | 635 | 25 | 1.100 | 43 | 454 | 1002 | 90 | 198 |
| AZUD LUXON LFH 9600/6 | 1.980 | 78 | 630 | 25 | 660 | 26 | 1.100 | 43 | 325 | 13 | 456 | 18 | 280 | 11 | 820 | 32 | 1.460 | 57 | 562 | 1239 | 131 | 289 |
| AZUD LUXON LFH 9600/8 | 1.980 | 78 | 630 | 25 | 660 | 26 | 1.100 | 43 | 325 | 13 | 456 | 18 | 280 | 11 | 820 | 32 | 1.460 | 57 | 562 | 1239 | 131 | 289 |
| AZUD LUXON LFH 9600/10 | 1.980 | 78 | 630 | 25 | 660 | 26 | 1.100 | 43 | 325 | 13 | 456 | 18 | 280 | 11 | 820 | 32 | 1.460 | 57 | 562 | 1239 | 131 | 289 |
| AZUD LUXON LFH 12000/10 | 2.260 | 89 | 630 | 25 | 660 | 26 | 1.370 | 54 | 330 | 13 | 456 | 18 | 280 | 11 | 820 | 32 | 1.740 | 69 | 664 | 1463 | 164 | 362 |
| AZUD LUXON LFH 12000/12 | 2.260 | 89 | 630 | 25 | 660 | 26 | 1.370 | 54 | 330 | 13 | 456 | 18 | 280 | 11 | 820 | 32 | 1.740 | 69 | 664 | 1463 | 164 | 362 |