

# LUXON AZUD

## LDB

Automatic electric screen filters, suitable to all the applications and a wide range of filtration grades, with the guarantee of AZUD quality.



## ADVANTAGES

- ✓ **Energetic efficiency:** The consumption in the flushing cycle is minimal.
- ✓ **Wide filtration range:** Grades from 20 to 1.000 micron.
- ✓ **Versatility:** Range from 2" to 6".
- ✓ **Resistance:** Temperature until 60°C.
- ✓ **Wide filtering surface:** until 5.380 cm<sup>2</sup>.
- ✓ **Resistant material:** The screen is made in stainless steel of high quality resistant to corrosion.
- ✓ **Time saving:** The filtration process continues simultaneously to the flushing cycle.
- ✓ **Easiness in the installation:** The equipments are completely assembled.

There are solutions to work with pressures higher than 10 bar / 145 psi or saline water. Control unit included.

## TECHNOLOGY

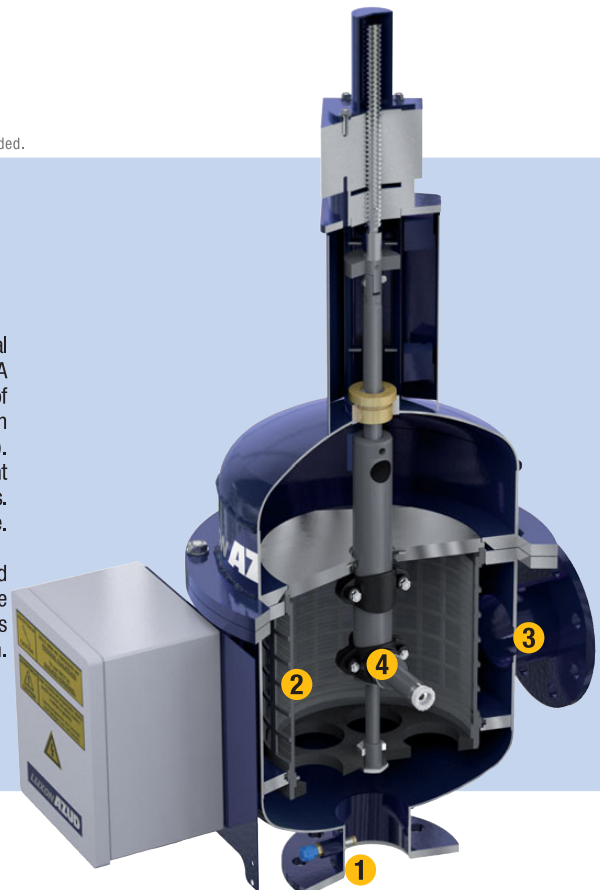
**AZUD LUXON filters keep without interruption the supply of filtered water during the flushing cycle.**

The water comes into the system (1) and enters in the filtering element.

Afterwards, the water goes through the screen (2), so the particles are retained in the internal side of the filtering element. The water already filtered continues to the outlet manifold (3).

When there is an increase of the differential of pressure, the flushing cycle starts. A hydraulic valve is opened in the outlet of the drainage, which provokes the suction in the endings of the inner nozzles (4). These, together with a helical movement along the screen, suck the filtered particles. The dirtiness is expelled by the drainage.

The time of this process is pre-established by the control unit. When it finishes, the flushing cycle valve closes and the process ends with minimal water consumption.



| Model                   | Support of screen | DN CONNECTION         |     |                          |    | Filtering Surface |                 |
|-------------------------|-------------------|-----------------------|-----|--------------------------|----|-------------------|-----------------|
|                         |                   | Inlet - Outlet Flange |     | Drainage Female - Thread |    |                   |                 |
|                         |                   | "                     | mm  | "                        | mm | cm <sup>2</sup>   | in <sup>2</sup> |
| AZUD LUXON LDB 900/2    | PVC               | 2"                    | 50  | 1"                       | 32 | 910               | 140             |
| AZUD LUXON LDB 1600/3   | PVC               | 3"                    | 80  | 1"                       | 32 | 1.600             | 250             |
| AZUD LUXON LDB 2400/4   | PVC               | 4"                    | 100 | 1"                       | 32 | 2.400             | 370             |
| AZUD LUXON LDB 4800/6   | PVC               | 6"                    | 150 | 1"                       | 32 | 4.800             | 745             |
| AZUD LUXON LDB 1000 S/2 | INOX              | 2"                    | 50  | 1"                       | 32 | 1.000             | 155             |
| AZUD LUXON LDB 1800 S/3 | INOX              | 3"                    | 80  | 1"                       | 32 | 1.760             | 275             |
| AZUD LUXON LDB 2700 S/4 | INOX              | 4"                    | 100 | 1"                       | 32 | 2.650             | 410             |
| AZUD LUXON LDB 5400 S/6 | INOX              | 6"                    | 150 | 1"                       | 32 | 5.380             | 835             |

All models are with flange connections. DIN 2576  
Ask for the rest of configurations in [www.azud.com](http://www.azud.com)

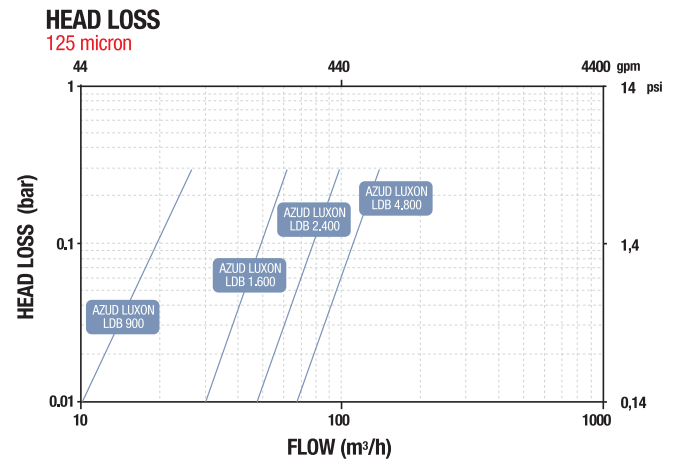
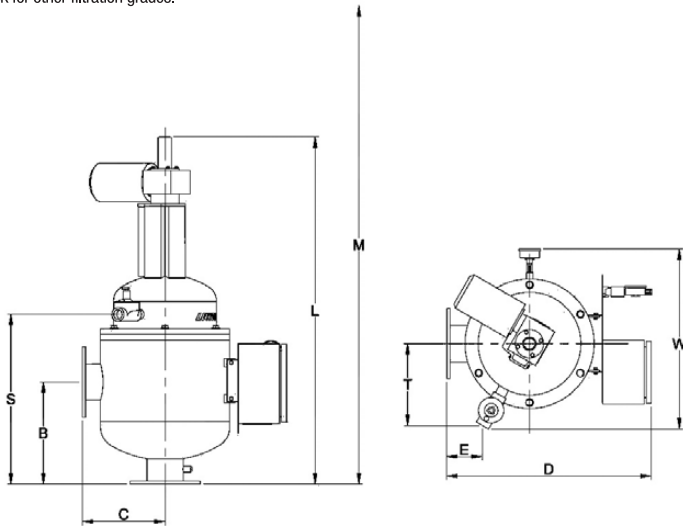
### MATERIAL

|                       |  |
|-----------------------|--|
| Housing of the filter | Carbon steel epoxy-polyester coated (S-235-JR EPOXY- POLYESTER coated) |
| Filtering element     | Stainless Steel AISI-316-L. INOX or PVC Structure                      |
| Scanner               | Stainless Steel-304  |
| Sealing elements      | NBR  |
| Drainage Valve        | Polypropilene  |

Flushing control unit included 220 V AC, 380 V AC available.  
**Max. Pressure** 10 bar / 145 psi • **Min. pressure** 2 bar / 29 psi  
**Max. temperature** 60°C / 140 F • **Operation Voltage** 220 V single-phase  
 1/4 CV Motor (220 V). Power consumption 0.72 A

| Model                   | Support of screen | CONNECTION            |     | FILTRATION        |                 |                   |     | FLUSHING CYCLE |     |      |        |      |
|-------------------------|-------------------|-----------------------|-----|-------------------|-----------------|-------------------|-----|----------------|-----|------|--------|------|
|                         |                   | Inlet - Outlet Flange |     | Filtering Surface |                 | Max flow          |     | Flow rate      |     | Time | Volume |      |
|                         |                   | "                     | mm  | cm <sup>2</sup>   | in <sup>2</sup> | m <sup>3</sup> /h | gpm | l/s            | gpm | s    | l      | g    |
| AZUD LUXON LDB 900/2    | PVC               | 2"                    | 50  | 910               | 140             | 25                | 110 | 0,7            | 11  | 10   | 5,0    | 1,3  |
| AZUD LUXON LDB 1600/3   | PVC               | 3"                    | 80  | 1.600             | 250             | 50                | 220 | 1,0            | 16  | 15   | 16,4   | 4,3  |
| AZUD LUXON LDB 2400/4   | PVC               | 4"                    | 100 | 2.400             | 370             | 80                | 350 | 1,0            | 16  | 18   | 18,5   | 4,9  |
| AZUD LUXON LDB 4800/6   | PVC               | 6"                    | 150 | 4.800             | 745             | 150               | 660 | 2,5            | 40  | 20   | 53,0   | 14,0 |
| AZUD LUXON LDB 1000 S/2 | INOX              | 2"                    | 50  | 1.000             | 155             | 25                | 110 | 0,7            | 11  | 10   | 5,0    | 1,3  |
| AZUD LUXON LDB 1800 S/3 | INOX              | 3"                    | 80  | 1.760             | 275             | 50                | 220 | 1,0            | 16  | 15   | 16,4   | 4,3  |
| AZUD LUXON LDB 2700 S/4 | INOX              | 4"                    | 100 | 2.650             | 410             | 80                | 350 | 1,0            | 16  | 18   | 18,5   | 4,9  |
| AZUD LUXON LDB 5400 S/6 | INOX              | 6"                    | 150 | 5.380             | 835             | 150               | 660 | 2,5            | 40  | 20   | 53,0   | 14,0 |

The flow rate given by filter conditions the frequency of the flushing activation.  
 Maximum recommended flow rate: 125 micron and water good quality.  
 Min. flushing pressure: 2 bar / 29 psi in outlet manifold.  
 Ask for other filtration grades.



| Model                   | DIMENSIONS |    |     |    |     |    |     |    |     |    |     |    |     |   |     |    | WEIGHT |    |                    |     |                     |     |
|-------------------------|------------|----|-----|----|-----|----|-----|----|-----|----|-----|----|-----|---|-----|----|--------|----|--------------------|-----|---------------------|-----|
|                         | L          |    | W   |    | D   |    | B   |    | S   |    | C   |    | E   |   | T   |    | M      |    | Full filter Weight |     | Empty filter Weight |     |
|                         | mm         | "  | mm  | "  | mm  | "  | mm  | "  | mm  | "  | mm  | "  | mm  | " | mm  | "  | mm     | "  | kg                 | lb  | kg                  | lb  |
| AZUD LUXON LDB 900/2    | 900        | 35 | 525 | 21 | 560 | 22 | 220 | 9  | 353 | 14 | 220 | 9  | 70  | 3 | 260 | 10 | 1.150  | 45 | 115                | 253 | 40                  | 88  |
| AZUD LUXON LDB 1600/3   | 975        | 38 | 525 | 21 | 560 | 22 | 250 | 10 | 427 | 17 | 220 | 9  | 70  | 3 | 260 | 10 | 1.250  | 49 | 136                | 299 | 45                  | 99  |
| AZUD LUXON LDB 2400/4   | 1.090      | 43 | 565 | 22 | 640 | 25 | 320 | 13 | 532 | 21 | 260 | 10 | 110 | 4 | 260 | 10 | 1.350  | 53 | 173                | 381 | 60                  | 132 |
| AZUD LUXON LDB 4800/6   | 1.365      | 54 | 565 | 22 | 640 | 25 | 470 | 19 | 807 | 32 | 260 | 10 | 110 | 4 | 260 | 10 | 1.620  | 64 | 257                | 567 | 86                  | 190 |
| AZUD LUXON LDB 1000 S/2 | 900        | 35 | 525 | 21 | 560 | 22 | 220 | 9  | 353 | 14 | 220 | 9  | 70  | 3 | 260 | 10 | 1.150  | 45 | 117                | 258 | 42                  | 93  |
| AZUD LUXON LDB 1800 S/3 | 975        | 38 | 525 | 21 | 560 | 22 | 250 | 10 | 427 | 17 | 220 | 9  | 70  | 3 | 260 | 10 | 1.250  | 49 | 143                | 314 | 52                  | 115 |
| AZUD LUXON LDB 2700 S/4 | 1.090      | 43 | 565 | 22 | 640 | 25 | 320 | 13 | 532 | 21 | 260 | 10 | 110 | 4 | 260 | 10 | 1.350  | 53 | 180                | 397 | 67                  | 148 |
| AZUD LUXON LDB 5400 S/6 | 1.365      | 54 | 565 | 22 | 640 | 25 | 470 | 19 | 807 | 32 | 260 | 10 | 110 | 4 | 260 | 10 | 1.620  | 64 | 259                | 572 | 88                  | 194 |

M=Minimal recommended distance for maintenance operations.