

LUXON AZUD

LCA

Automatic hydraulic screen filters, suitable to all the applications and a wide range of filtration grades, with the guarantee of AZUD quality.



ADVANTAGES

- ✓ **Energetic efficiency:** The consumption in the flushing cycle is minimal.
- ✓ **Wide filtration range:** Grades from 80 to 1.000 micron.
- ✓ **Versatility:** Range from 2" to 6".
- ✓ **Resistance:** Temperature until 60°C.
- ✓ **Wide filtering surface:** until 4.800 cm²
- ✓ **Resistant material:** The screen is made in stainless steel of high quality resistant to corrosion.
- ✓ **Time saving:** The filtration process continues simultaneously to the flushing cycle.
- ✓ **Easiness in the installation:** The filters are delivered ready to be installed.

There are solutions to work with pressures higher than 10 bar / 145 psi or saline water. Battery control unit included.

TECHNOLOGY

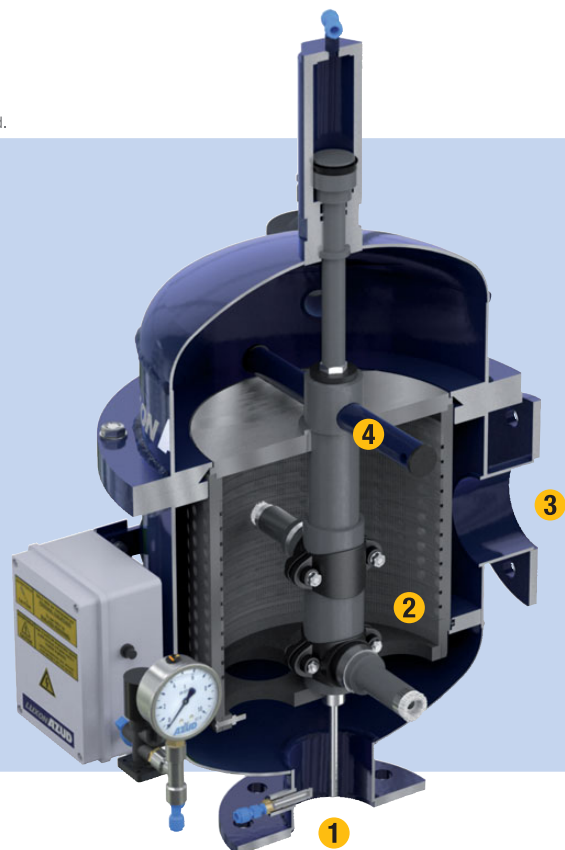
AZUD LUXON filters keep without interruption the supply of filtered water during the flushing cycle.

The water comes into the system (1) and enters in the filtering element.

Afterwards, the water goes through the screen (2), so the particles are retained in the internal side of the filtering element. The water already filtered continues to the outlet manifold (3).

When there is an increase of the differential of pressure, the flushing cycle starts. A hydraulic valve is opened in the outlet of the drainage, which provokes the suction in the endings of the inner nozzles (4). These, together with a helical movement along the screen, suck the filtered particles. The dirtiness is expelled by the drainage.

The time of this process is pre-established by the control unit. When it finishes, the flushing cycle valve closes and the process ends with minimal water consumption.



Model	DN CONNECTION					
	Inlet - Outlet Flange		Drainage Female - Thread		Filtering Surface	
	"	mm	"	mm	cm ²	in ²
AZUD LUXON LCA 900/2	2"	50	1"	32	910	140
AZUD LUXON LCA 900/3	3"	80	1"	32	910	140
AZUD LUXON LCA 1600/2	2"	50	1"	32	1.600	250
AZUD LUXON LCA 1600/3	3"	80	1"	32	1.600	250
AZUD LUXON LCA 1600/4	4"	100	1"	32	1.600	250
AZUD LUXON LCA 2400/4	4"	100	1"	32	2.400	370
AZUD LUXON LCA 4800/6	6"	150	1"	32	4.800	745

All models are with flange connections. DIN 2576
Ask for the rest of configurations in www.azud.com

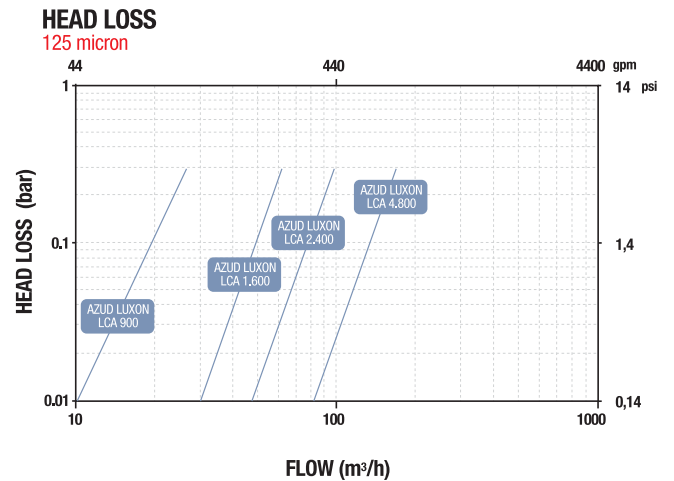
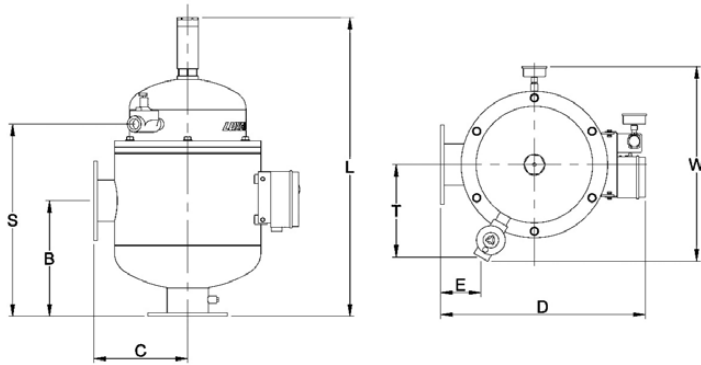
MATERIAL

Housing of the filter	Carbon steel epoxy-polyester coated (S-235-JR EPOXY- POLYESTER coated)
Filtering element	Stainless Steel AISI-316-L. PVC Structure
Sealing elements	NBR
Drainage Valve	Polypropilene

Battery control unit included.
Max. Pressure 10 bar / 145 psi • Min. pressure 2,5 bar / 36,3 psi
Max. temperature 60°C / 140 F

Model	CONNECTION		FILTRATION				FLUSHING CYCLE				
	Inlet - Outlet Flange		Filtering Surface		Max flow		Flow rate		Time	Volume	
	"	mm	cm ²	in ²	m ³ /h	gpm	l/s	gpm	s	l	g
AZUD LUXON LCA 900/2	2"	50	910	140	25	110	0,7	11	8	5	1,3
AZUD LUXON LCA 900/3	3"	80	910	140	50	220	0,7	11	8	5	1,3
AZUD LUXON LCA 1600/2	2"	50	1.600	250	25	110	0,8	13	15	12,5	3,3
AZUD LUXON LCA 1600/3	3"	80	1.600	250	50	220	0,8	13	15	12,5	3,3
AZUD LUXON LCA 1600/4	4"	100	1.600	250	80	350	0,8	13	15	12,5	3,3
AZUD LUXON LCA 2400/4	4"	100	2.400	370	80	350	0,8	13	18	15,5	4,1
AZUD LUXON LCA 4800/6	6"	150	4.800	745	150	660	2,5	40	20	53	14,0

The flow rate given by filter conditions the frequency of the flushing activation.
Maximum recommended flow rate: 125 micron and water good quality.
Min. flushing pressure: 2,5 bar / 36,3 psi in outlet manifold.
Ask for other filtration grades.



Model	DIMENSIONS																WEIGHT			
	L		W		D		B		S		C		E		T		Fu filter Weight		Empty filter Weight	
	mm	"	mm	"	mm	"	mm	"	mm	"	mm	"	mm	"	mm	"	kg	lb	kg	lb
AZUD LUXON LCA 900/2	585	23	500	20	480	19	220	9	352	14	220	9	70	3	260	10	110	242	35	77
AZUD LUXON LCA 900/3	585	23	500	20	480	19	220	9	352	14	220	9	70	3	260	10	110	242	35	77
AZUD LUXON LCA 1600/2	720	28	500	20	480	19	250	10	427	17	220	9	70	3	260	10	136	299	45	99
AZUD LUXON LCA 1600/3	720	28	500	20	480	19	250	10	427	17	220	9	70	3	260	10	136	299	45	99
AZUD LUXON LCA 1600/4	720	28	500	20	480	19	250	10	427	17	220	9	70	3	260	10	136	299	45	99
AZUD LUXON LCA 2400/4	830	33	540	21	570	22	320	13	532	21	260	10	110	4	260	10	173	381	60	132
AZUD LUXON LCA 4800/6	990	39	540	21	570	22	470	19	807	32	260	10	110	4	260	10	252	556	81	179